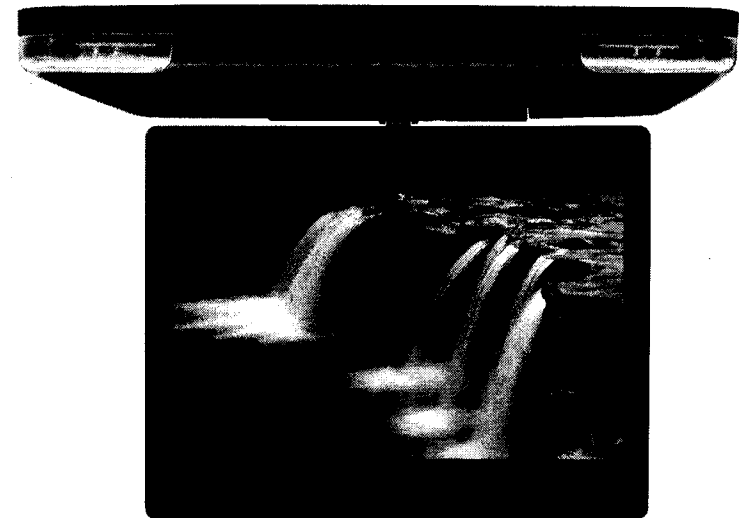


**ZICOM**

**Instruction Manual**  
TFT LCD COLOR MONITOR



**ZFD154WS**

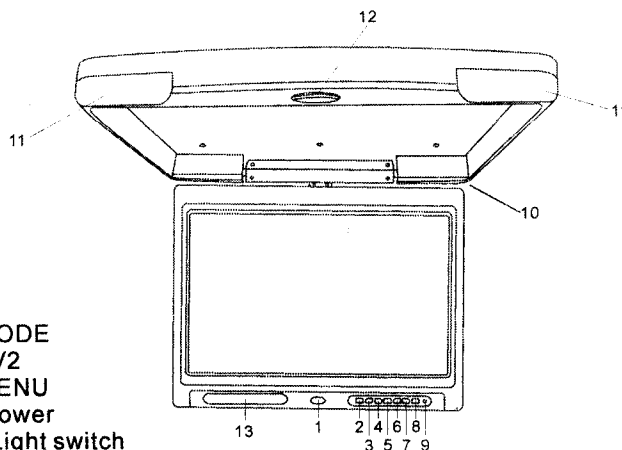
**Active Matrix**

**TFT-LCD Color Monitor**

Before operating this set, please read these instructions completely

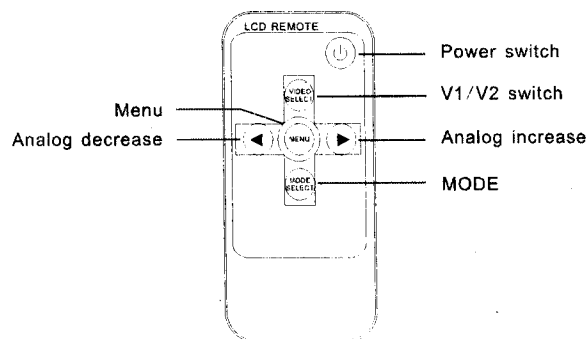
Thank you for purchasing the TFT LCD color monitor . To enjoy the features of this device and to ensure years of trouble-free operation, please read this manual carefully and follow the instructions.

## FRONT PANEL



- 1. Remote window
- 2.MODE
- 3.AV1
- 4.AV2
- 5.-
- 6.MENU
- 7.+
- 8. Power
- 9. LED
- 10.Light switch
- 11.Dome Lights
- 12.Monitor release button
- 13.IR transmitter

## REMOTE CONTROL



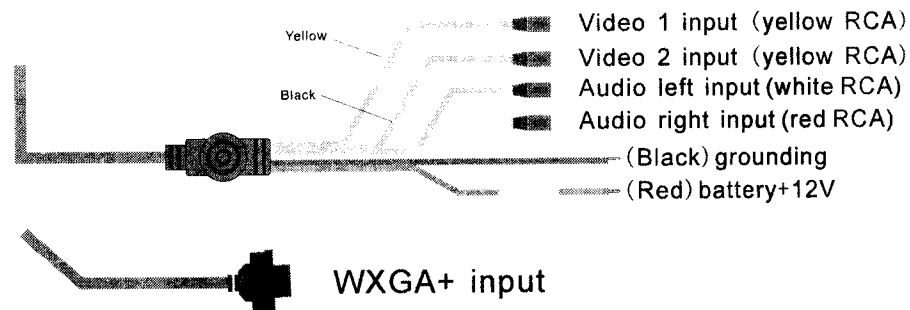
## SPECIFICATIONS

Type : TFT LCD  
 PiXS: 1280x(R.G.B)x800  
 Display format: 16:9  
 System :PAL/NTSC  
 Dual Video Input  
 WXGA+ Input  
 Built-in IR Transmitter  
 Built-in Dome Lamps  
 Power Supply : DC 12V  
 Power consumption : ≤ 12W  
 Operation temperature : -5°C~55°C  
 Storage temperature : -30°C~75°C

## CAUTIONS

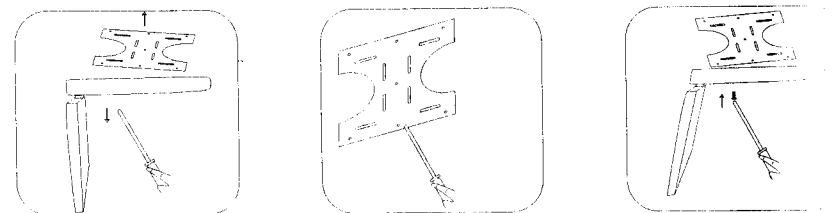
Never connect the car monitor to cigarette lighters or such as trucks or buses which use 24V DC power.  
 Do not expose the monitor to high humidity, dust, steam, oily smoke, direct sunlight etc.  
 For your safety, turn power OFF when not in use and unplug the adaptor.  
 Never attempt your own maintenance. Consult your TV dealer or the company.  
 Avoid dropping and strong impact.  
 For your safety, the driver should not watch the TV or operate the controls while driving.

## WIRING DIAGRAM



## INSTALLATION

1. First of all, unscrew the six screws on the mounting plate connected to the unit and take off the mounting plate.
2. Fix up the mounting plate on the suitable position if the vehicle with four wcrews.
3. Then install the unit with four screws on the mounting plate to fix the unit.



## ACCESSORIES

- One Remote
- One User Manual
- One Fix Board
- Six Screw

## WARNING:

Do not watch TV While vehicle in motion it can be hazardous.