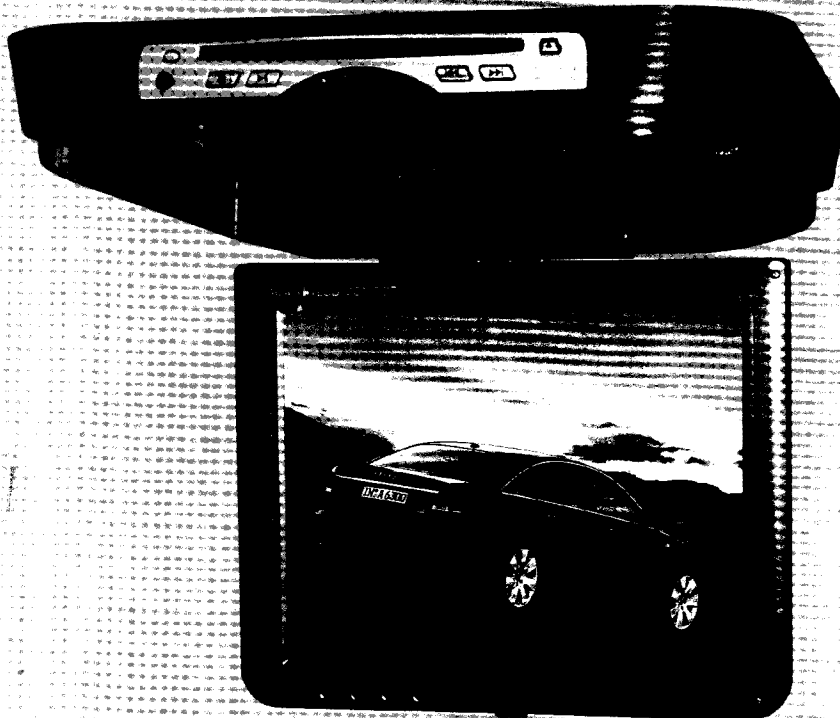
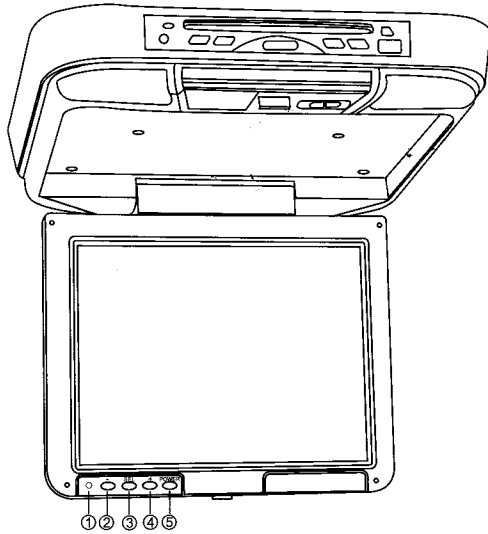


Instruction Manual

10.4" TFT LCD COLOR MONITOR/DVD

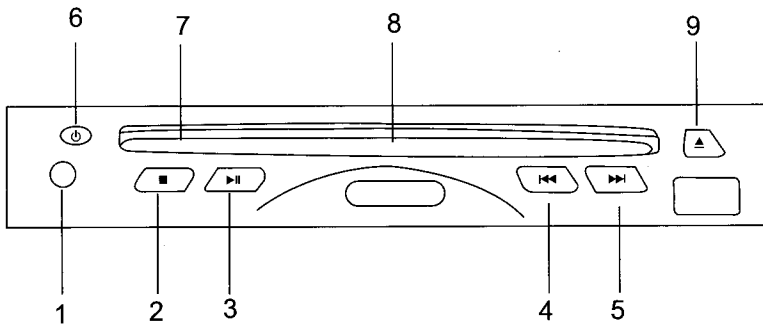


WARNING:
HAZARD DO NOT OPERATE THIS
UNIT UNLESS VEHICLE IS PARKED
IN SAFE AND LEGAL AREA



Pannel

- | | |
|---------------------|-------------------|
| 1.Sensor for remote | 2. Adjustment (-) |
| 3.SEL | 4.Adjustment (+) |
| 5.POWER | |



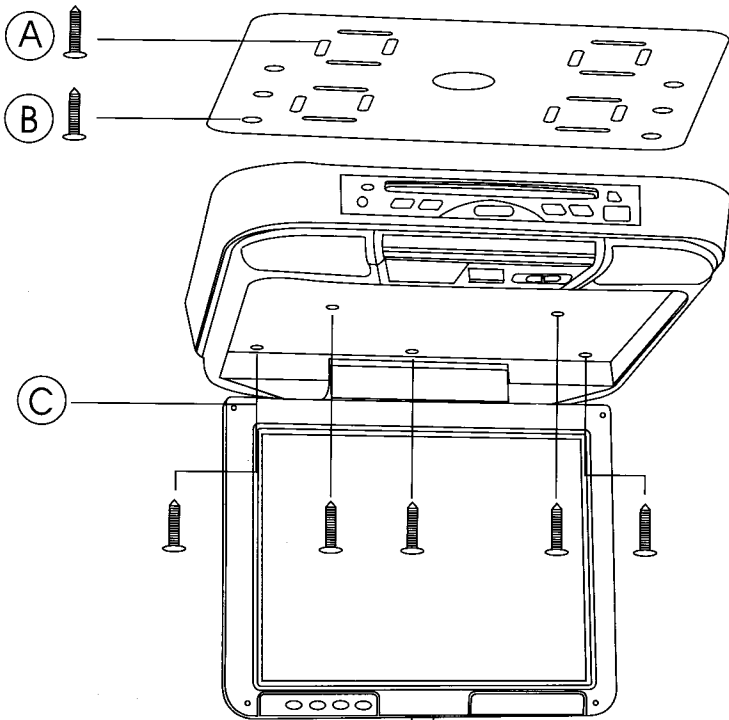
- 1.remote indication light
- 2.Pre stop/stop
- 3.play/pause
- 4.previous
- 5 next
- 6 power
- 7 disc entrance
- 8.dvd reading indication light
9. Eject

INSTALLATION DIAGRAM FOR FLIP DOWN SYSTEM

Step1:use mounting bracket (A) to cut out the size of ceiling to provide a mounting surface which the housing of the flip down monitor can be attached

step2:use tapping screws or rivets on position (B) for mounting bracket (A) on the vehicles roof

step3: use the 4 pieces of machine screws(C) to mounting the housing of the monitor to mounting bracket (A)



place for setting plate

fix the setting plate to the place shown above by screws, then assembly the unit of monitor to the setting plate.

Monitor function

1. enter into MENU. use + - buttons to adjust the picture's brightness, contrast, simulating, tone and AV input tuner.

DVD

a.DVD player

DVD reading indication light will gleam when loading DVD DISC; and then when disc is reading the light turns to be shining.

b.pause

press **⏸** when playing, it will pause playing for you to see inactive picture.

press it again, it will go on playing.

c.STOP

Press **■** it will stop playing

d.fast forward/ backward

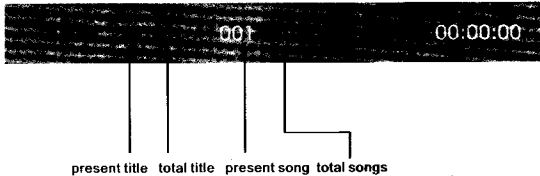
press **⏩** / **⏪** to fast forward and backward when playing DVD, while press **▶** to go on playing.

e.menu

press **⏮** / **⏭** to chose last or next song by remote control.

f.turn to appointed menu or time

press GOTO one time, will show following picture:



press **→** on the remote control to present song ,then input the number of the song or the time you want closed by ENTER. If the number is 10 above, press 10 and then the number.

g.DVD info

Turn to DVD title by press TITLE on the remote control.

h.DVD setting

a)normally setting

press SETUP to preset DVD. Attached is the main menu and sub menu

TV SYSTEM
SCREEN SAVER
TV TYPE
SPDIF OUT
PASSWORD
RATING
DEFAULT
EXIT SETUP

~~TV SYSTEM~~
SCREEN SAVER PAL 60
TV TYPE PAL
SPDIF OUT
PASSWORD AUTO
RATING
DEFAULT
EXIT SETUP

TV SYSTE
SCREEN SAVER
TV TYPE 5MIN
SPDIF OUT
PASSWORD 10MIN
RATING 30MIN
DEF AUL T OFF
EXIT SETUP

TV SYSTE
SCREEN SAVER
TV TYPE 4:3PS
SPDIF OUT
PASSWORD 4:3LB
RATING 16:9
DEF AUL T
EXIT SETUP

TV SYSTE
SCREEN SAVER
TV TYPE
SPDIF OUT SPDIF ON
PASSWORD SPDIF OFF
RATING
DEF AUL T
EXIT SETUP

TV SYSTE
SCREEN SAVER
TV TYPE
SPDIF OUT
PASSWORD ----
RATING
DEF AUL T
EXIT SETUP

TV SYSTE
SCREEN SAVER
TV TYPE
SPDIF OUT
PASSWORD
RATING
DEF AUL T KID SAFE
EXIT SETUP VIEW ALL

TV SYSTE
SCREEN SAVER
TV TYPE
SPDIF OUT
PASSWORD
RATING
DEF AUL T
EXIT SETUP

TV SYSTE
SCREEN SAVER
TV TYPE
SPDIF OUT
PASSWORD
RATING
DEF AUL T
EXIT SETUP

b) language setting

press SETUP to set up the language, attached is the main menu and sub menu:

LANGUAGE SETUP

OSD LANGUAGE
AUDIO LANG
SUBTITLE LANG
MENU LANG

EXIT SETUP

AUDIO LANG
SUBTITLE LANG
MENU LANG

EXIT SETUP

~~ENGLISH~~
CHINESE
GERMAN
SPANISH
FRENCH
PORTUGUESE
ITALIAN
JAPAN

OSD LANGUAGE ~~ENGLISH~~
SUBTITLE LANG
MENU LANG

EXIT SETUP

CHINESE
ENGLISH
JAPAN
FRENCH
SPANISH
PORTUGUESE
LATIN
GERMAN

OSD LANGUAGE ~~CHINESE~~
AUDIO LANG
MENU LANG

EXIT SETUP

ENGLISH
JAPAN
FRENCH
SPANISH
PORTUGUESE
GERMAN
OFF

OSD LANGUAGE ~~ENGLISH~~
AUDIO LANG
SUBTITLE LANG

EXIT SETUP

CHINESE
ENGLISH
JAPAN
FRENCH
SPANISH
PORTUGUESE
GERMAN
LATIN

OSD LANGUAGE
AUDIO LANG
SUBTITLE LANG
MENU LANG

c) audio setting

press SETUP to set up the audio, attached is the main menu and sub menu:

AUDIO OUT
DOWN MIX
DYNAMIC RANGE
DOWN SAMPLE

EXIT






DOWN MIX
DYNAMIC RANGE
DOWN SAMPLE

EXIT

SPDIF/DIGITAL
SPDIF/RAW
SPDIF/PCM

AUDIO OUT 
STEREO
DYNAMIC RANGE VSS
DOWN SAMPLE OFF

EXIT SETUP

AUDIO OUT  FULL
DOWN MIX  6/8
 4/8
DOWN SAMPLE  2/8
 OFF

EXIT SETUP

AUDIO OUT
DOWN MIX
DYNAMIC RANGE 
96K
EXIT SETUP 192K

AUDIO OUT
DOWN MIX
DYNAMIC RANGE
DOWN SAMPLE

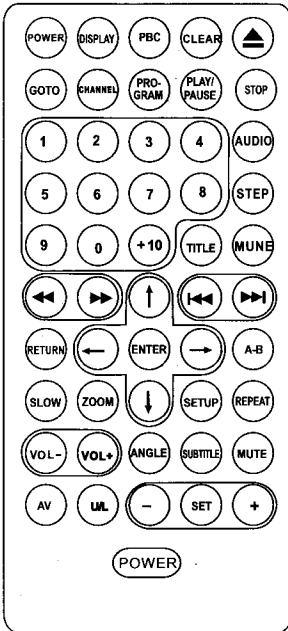
NOTICE:

- a. use → ↑ ← ↓ to set and ENTER to confirm your set.
- b. do not change preset if unnecessary.
- c. if this set compatible with PAL and NTSC, it would be better choose NTSC
- d. original password:0000
- e. part of the functions are available only under certain condition, while some are not available right now.
- f. this unit has memory of reading before power cut .

d)playing edit

if there are two tiles or songs above in the disc, use PRO-GRAM button to set the order. It will show 1[--],2[--]... on the picture, so press the number to edit the order, then you can use→ and ENTER to play.

REMOTE CONTROL



- 1.power: DVD power
- 2.DISPLAY: show information about disc
- 3.PBS: when it plays super VCD,VCD2.0, it can show menu of the song: song 1,song2,... choose the number you want. If press PBC button, no above menu shown, you can choose number directly.
- 4.CLEAR: available for edition
5. ▲ Inhale / eject disc
- 6.GOTO: set time
- 7.CHANNEL: right / left channel
- 8.PRO-GRAM: edit
- 9.PLAY/PAUSE: press once, it plays or stops play; press again, it returns.
- 10.STOP: stop play if press this button
- 11.1~ 10: number
- 12.AUDIO: mode of audio
- 13.STEP: press this button, it will play next picture; press PLAY, it comes to normally mode.
- 14.TITLE: menu
- 15.MENU: back to main page
16. next song

- 17.last song
- 18.fast forward
- 19.fast backward
- 20.A-B: repeat play start part A to part B by press this button two times(first press is A and the second is B), press third time, it stops repeat play.
- 21.RETURN: back to main menu
- 22.ERTER: confirm
- 23.→ ↑ ← ↓ : direction
- 24.SLOW: play slowly
- 25.ZOOM: zoom the picture with 4 class
- 26.SETUP:menu
- 27.REPEAT: repeat play
- 28.VOL-: lower
- 29.VOL+: louder
- 30.ANGLE: video angle
- 31.SUBTITLE
- 32.MUTE
- 33.AV
- 34.U/L: display start left or right way
- 35.- : reduce
- 36.SEL: menu
- 37.+ : increase
- 38.POWER: power of this monitor

BASIC TROUBLE SHOOTING

Fault	reason	resolvent
No power	red wire goes to 12v +; black one goes to ground	connect power correctly
	Fuse Blowout	change fuse
	Power line unconnected	connect correctly to the power
No picture	no VD input	input video
	No dvd signals output	reset dvd
	Video lines unconnected	connect video line again
Remote useless	battery protection paper unload Aim at wrong direction	take out the paper aim at the receiver window
	No power	change battery
Can not play	bad disc	change better disc
Distortion	disc load in mistake way	re-put disc
	Disc dirty	clean disc
	Fast forward/ backward	Normally

Attachment

1. maintain of DVD MONITOR

please use normally rotund disc. If you put in an erose, not rotund disc, they will be locked by the player or can not play well.

Make sure the disc before play has no split, scratch or warp.

Do not touch the record surface(non printed side)

Keep disc in the disc pack after playing;

Do not expose disc under direct sunlight or high temperature;

Do not stick label, write or use chemical on the surface of disc;

If you use central heating in cold weather, you may find dews on the DVD player, which may make the unit can not work well. Then please cut off the unit for 1 hour to make it dry and wipe the disc by dry cloth.

Shock may cause the play stop.

2. MAINTAIN OF DISC

a.some functions may not available for certain kinds of DISCS.

b.Some discs may not compatible with this unit

c.This unit can only play DVD-R/DVD-RW disc in video mode, and some files download from computer can not be read.

d.Broken, dirty or wet disc can not be read.

e.Some disc recorded by personal may can not be read for the format of recording.

f.Should use → ↑ ← ↓ to choose the file when play MP3 disc, closed by ENTER.

3.MAINTAIN OF REMOTE CONTROL

a.Do not expose it in direct sunlight or put in on the instrument board

b.Especially in summer, the high temperature there will make it distorted

c.The unit may can not receive the signal from the remote control under direct sunlight, move it near to the unit

4.MAITAIN OF LCD

a.do not press or touch LCD, which may cause distortion or fault.

b.Use soft cloth with a little water clean LCD

c.Do not use oil, thinner, cleanser or anlistatig.

d.In cold or hot condition, picture may not clear. Any new LCD may has red or blue light point, 99.99% on the LCD should be without any point but 0.01% point appeared is allowed.

Spare parts list

Item no	description	Q'ty
1	power, A/V cable	1
2	remote control	1
3	menu	1
4	screw	1 bag
5	5M RCA cable	1

Specifications

Screen Size:	10.4 inch 4:3TFT
System:	PAL/NTSC
Power source/Consumption:	DC12V+/-20%, ≤1500mA
Video Input:	Composition Video signal
Storage Temperature:	-10°C ~ +85°C
Display Method :	Color LCD
Resolution(HxV):	600(H)x800(V)
Back light:	Cold Cathode Filament Tube
Monitor dimension:	312x302x65mm
Disc format:	MP4/MP3/DVD/VCD/CD/SVCD/CD-R/CD-RW/DVD-R/ DVD-RW
Disc zone:	multizone

Cautions

- ※ Never connect the car adaptor to cigarette lighters for such as trucks or buses which use 12V DC power.
- ※ Do not expose the monitor to high humidity,dust,steam, oily smoke,direct sunlight etc.
- ※ For your safety, turn power OFF when not in use and unplug the adaptor.
- ※ Never attempt your own maintenance.Consult your TV dealer or the company.
- ※ Avoid dropping and strong impact.
- ※ For your safety,the driver should not watch the Monitor or operate the controls while driving.

WARNING:

DO NOT WATCH MONITOR WHILE VEHICLE IN MOTION.
IT CAN BE HAZARDOUS.

WIRING DIAGRAM

