



ZFD85W

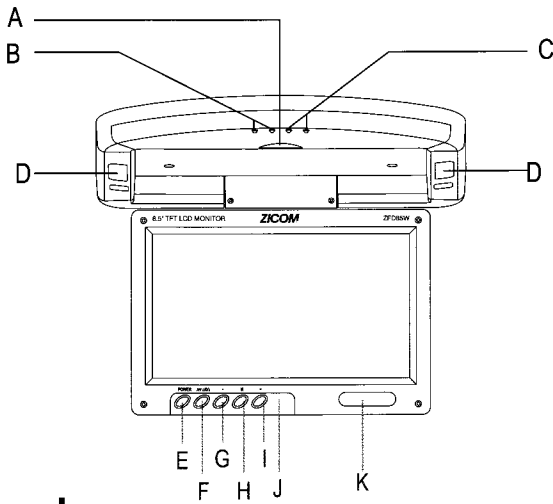
Instruction Manual

8.5" TFT LCD Monitor



Before operating this set, please read these instructions completely

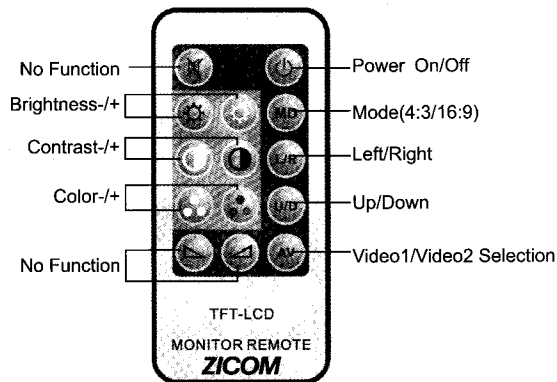
Thank you for purchasing the TFT LCD color monitor, To enjoy the features of this device and to ensure years of trouble-free operation, please read this manual carefully and follow the instructions.



Front Panel

- | | |
|--------------------|--------------------------|
| A. Open | G. Adjustment(-) |
| B. No Function | H. Menu |
| C. No Function | I. Adjustment(+) |
| D. Dome light | J. Remote control window |
| E. Power on/off | K. IR output |
| F. AV1, AV2 switch | |

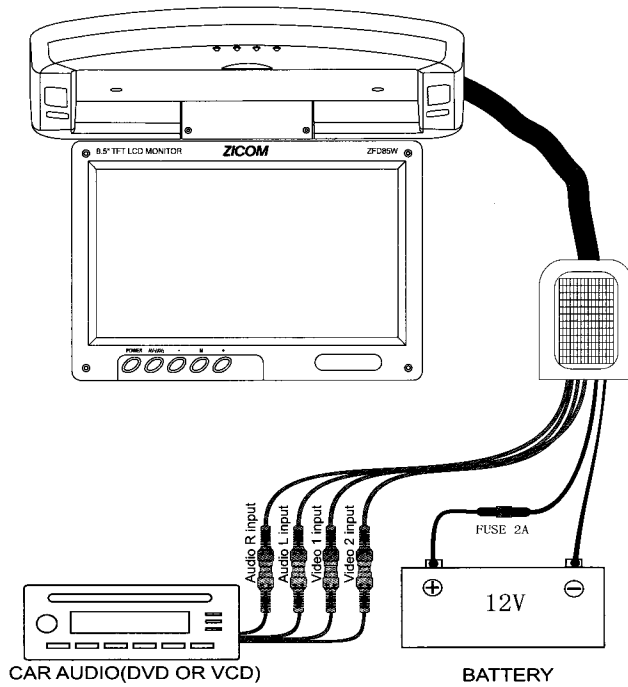
Remote Control



Specifications

- 8.5 Inch Active Matrix TFT LCD Color Monitor
- 16:9 High Resolution Wide Screen Display
- NTSC/PAL Auto Switch
- On Screen Display Menu
- Two Video Inputs
- Dual Dome Lamps
- Full Function Wireless Remote Control
- Display Resolution: 1480(H)x234(V)
- Built-in IR transmitter
- Designed for in-Car Use

Installation Diagram



Cautions

- Never connect the car monitor to cigarette lighters in trucks or buses which use 24V DC power.
- Do not expose the monitor to high humidity, dust, steam, smoke, direct sunlight etc.
- For your safety, turn power OFF when not in use and unplug the adaptor.
- No user serviceable parts inside. Refer servicing to a qualified service engineer.
- Avoid dropping or strong impact.
- For your safety, the driver should not watch the monitor or operate the controls while driving.

Accessories

Remote
User Manual
Fix Board
Screw

Warning:

Do not watch monitor while vehicle in motion, it can be hazardous.